

photometrics®
CoolSNAP™
DYNO

1920 x 1460 imaging array
 4.54 x 4.54 μm pixels

Primary Applications

- Fixed Cell Imaging**
- Live Cell Imaging**
- Time Lapse Imaging**
- Slide Scanning**

Great instruments don't create great science, but they are essential to telling the story. Photometrics puts the right tool in your hands when the goal is fast, sensitive imaging and documentation in true plug-and-play fashion. With CoolSNAP DYNO, you get a 2.8 MP camera that provides large field of view for overview images, but capable of signal binning for work at high magnification or increased sensitivity. Fixed or live, time lapse, slide scanning or dynamic cell imaging, CoolSNAP DYNO packs the punch you need in an everyday camera your lab will depend on.

CoolSNAP DYNO is packed with advanced technical features that improve limits of detection and quantification. The camera generates large amounts of data, but handles it smoothly via the new super speed USB 3.0 interface.

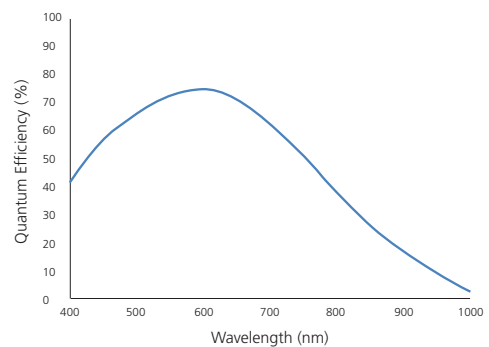
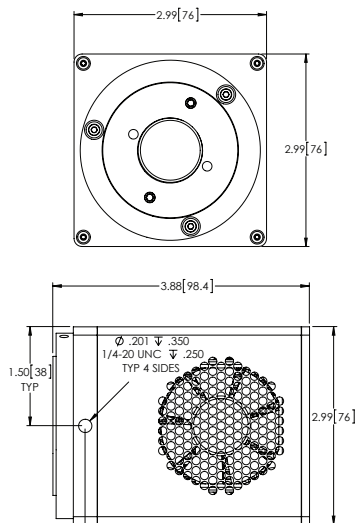
Imaging Needs	Solutions
Extreme Low Light Imaging	75% peak QE combined with low noise electronics reveals the weak signals missed by industrial cameras Increased exposure time and binning enables detection of the faintest signals with deep sensor cooling
Rapid Find and Focus	50MHz two port readout delivers frame rate for finding, focusing and imaging samples Reduce photobleaching and phototoxicity on samples
Flawless Images	Intelligent Quantification provides advanced real-time FPGA algorithms to deliver better image quality

Specifications	
Sensor Type	Sony ICX-674 Monochrome Scientific Interline CCD
CCD Array	1920 x 1460
Pixel Size	4.54µm x 4.54µm
Sensor Dimensions	8.8mm x 6.6mm (11mm diagonal)
Peak Quantum Efficiency	75% at 600nm
Full Well Capacity	>16,000e ⁻ single pixel (>22,000e ⁻ with on-chip binning)
Digital Output	14 bit
Digitization Rate	USB3: 50MHz high frame rate
Read Noise (typical)	5.2e ⁻ RMS
Frame Rate	14.4 fps (full resolution) and 24.1 fps (binned 2x2)
Exposure Time Range	25µs - 60min
Supported Binning Modes	1x1, 2x2, 4x4, 6x6, 8x8, 12x12, 16x16, 24x24
Dark Current Rate (typical)	0.0006 e/p/s at -12°C regulated
Cooling	-12°C
Intelligent Quantification Features	Defect correction (nearest neighbor)
Computer Platforms/ Operating Systems	Windows 7, 8.1 and 10 (64-bit/32-bit)
Digital Interface	USB3.0 (USB2 compatible at reduced max fps)
Triggering I/O Signals	Trigger In, Expose Out, End-of-Frame, Shutter Out
Supported Triggering Modes	Trigger First, Strobe, Bulb
Optical Interface	1", C-mount optical format
Mounting Hole Thread Size	1/4" - 20 thread, 4 sides
Camera Dimensions	98.4mm x 76mm x 76mm (length x width x height)
Weight	1.55lb, 0.72kg
Power Requirement	7.5V DC, 2.5A

Note: Specifications are typical and subject to change.

INCLUDED

- CoolSNAP DYNO Scientific CCD Camera
Model: CSNAP-DYNO-M-USB-14-AC
- Power Supply
- USB 3.0 Cable
- Trigger Cable
- Access to SDK
- Two Year Limited Warranty



CoolSNAP is a trademark of Photometrics. Other brand and product names are the trademarks or registered trademarks of their respective owners and manufacturers.

PHOTOMETRICS®
www.photometrics.com
 info@photometrics.com
 tel: +1 520.889.9933